

# Signoret Chandelier

TC1093 | 1.0

## GENERATION LIGHTING CHANDELIER

### GENERAL PRODUCT INFORMATION:

These fixtures are intended to be installed utilizing NEC compliant junction boxes.

This product is safety listed for damp locations.

Incandescent version may be dimmed with a standard incandescent dimmer. LED version may be dimmed with a LED dimmer. Consult lamp manufacturer for additional information.

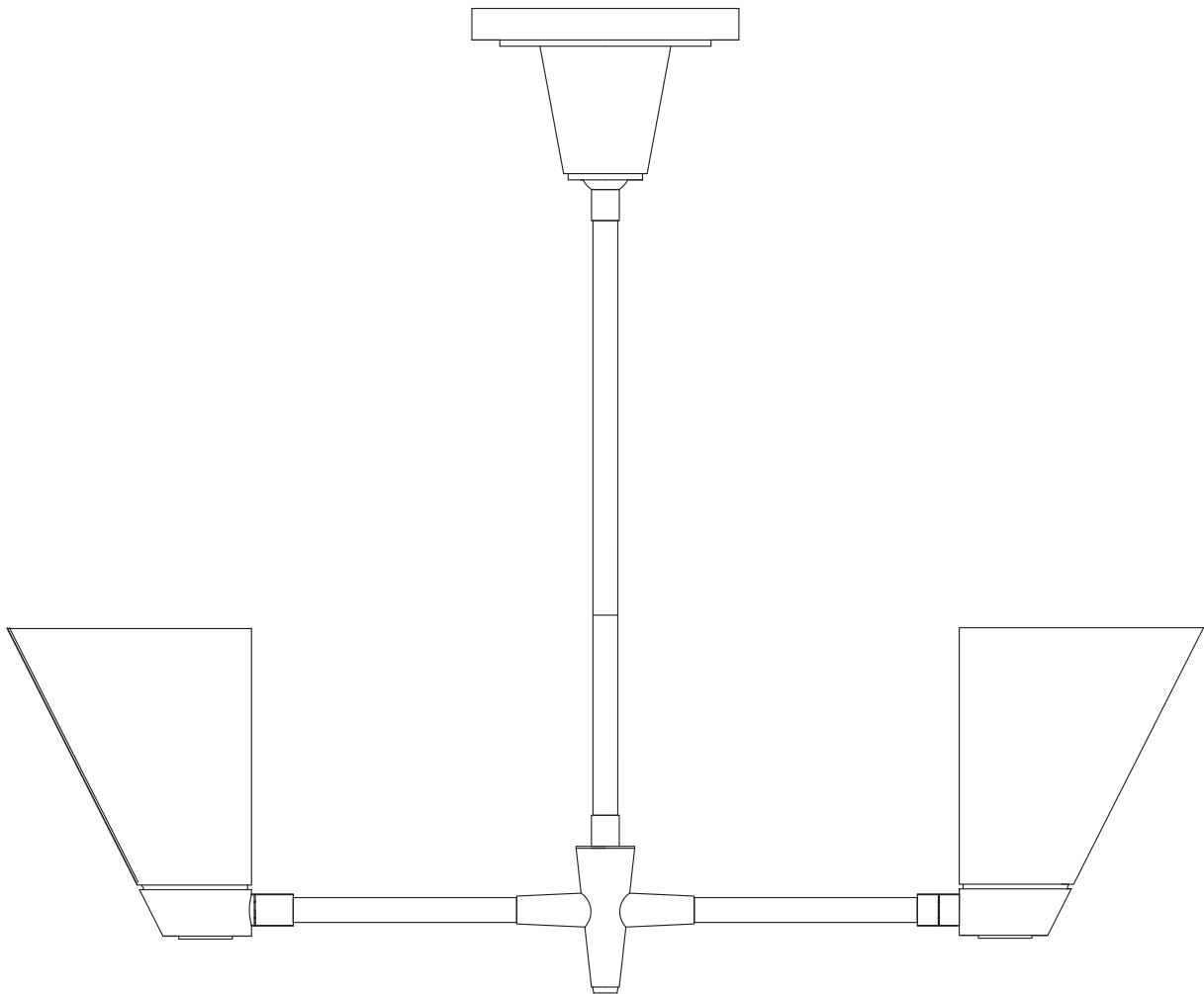
This instruction shows a typical installation.

**SAVE THESE INSTRUCTIONS!**

### CAUTION - RISK OF FIRE

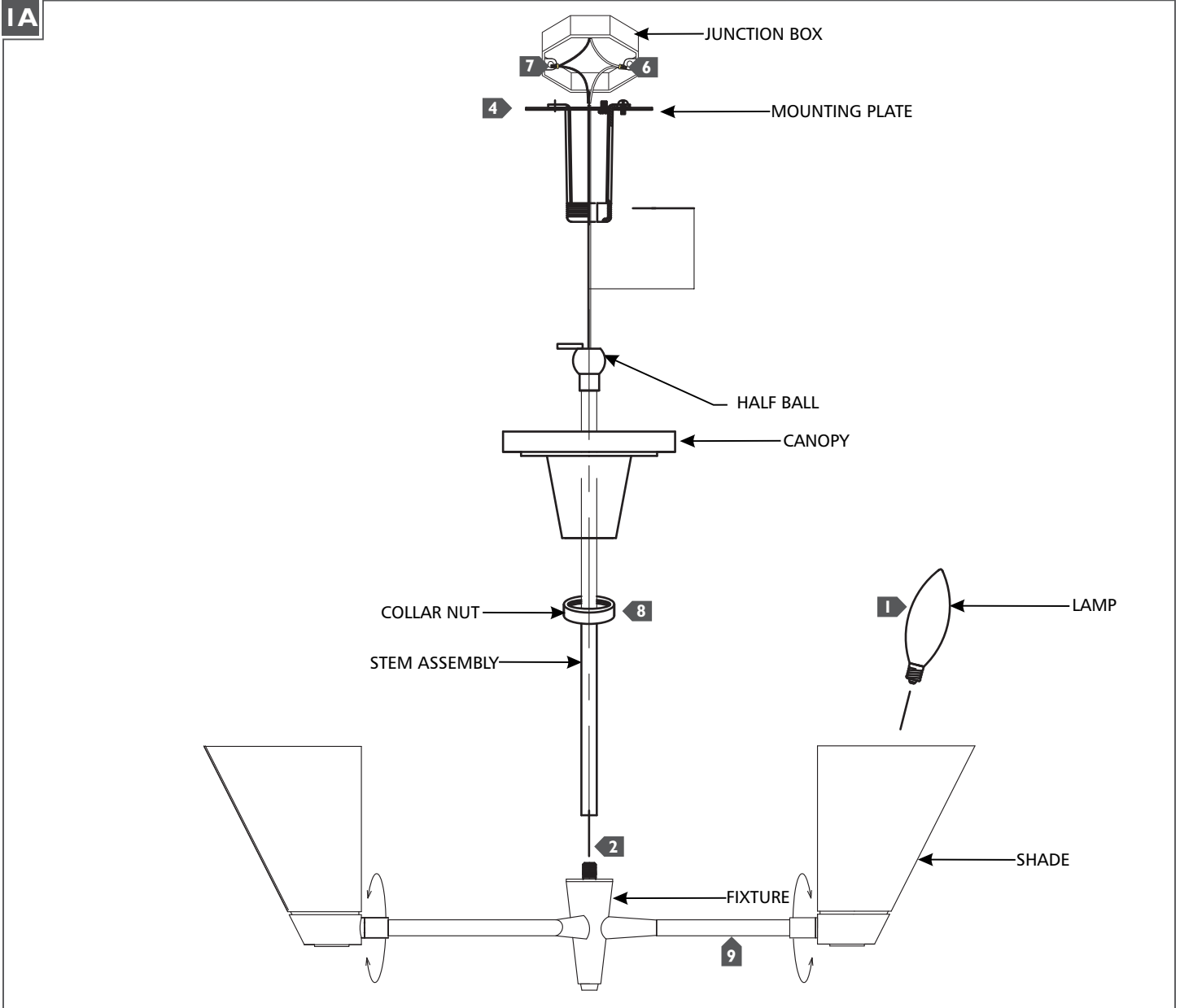
This product must be installed in accordance with the applicable installation code by a person familiar with the construction and operation of the product and the hazards involved.

**Use minimum 90°C supply conductors.**



GENERATION LIGHTING  
7400 Linder Ave., Skokie, IL 60077  
T 847.410.4400 | F 847.410.4500  
www.generationlighting.com

# Install the Fixture



- 1** Screw the lamps into the sockets. Refer to the label on the socket for Max Wattage Information.
- 2** Screw the stem assembly onto the fixture.
- 3** Feed the fixture wires through the collar nut and canopy.
- 4** Align and secure the mounting plate to the junction box, then slide the half ball assembly onto the mounting plate.
- 5** Connect the fixture to a suitable ground in accordance with local electrical codes.
- 6** Connect the white fixture wire (square and/or rigid) to the neutral power line wire with a wire nut.
- 7** Connect the black fixture wire (round and/or smooth) to the hot power line wire with a wire nut.
- 8** Neatly place all the wires into the junction box, place the canopy onto the mounting plate, and secure it in place by screwing the collar nut tightly onto the mounting plate.
- 9 (Optional):** Adjust the lights by gently rotating the fixture arms to the desired position.