

IMPORTANT SAFETY INSTRUCTIONS

- Be sure the electricity to the system you are working on is turned off; either the fuse removed or the circuit breaker set at off.
- Use of other manufacturers components will void warranty, listing and create a potential safety hazard.
- If you are unclear as to how to proceed, contact a qualified electrician.
- You don't need special tools to install this fixture.
- Be sure to follow the steps in the order given.
- Under no circumstances should a fixture be hung on house electrical wires, nor should a swag type fixture be installed on a ceiling which contains a radiant type heating system.
- Read instructions carefully.
- Save these instructions.

IF SUPPLY WIRES ARE LOCATED WITHIN 3" OF BALLAST, USE WIRE RATED FOR AT LEAST 90°C.

WARNING: RISK OF FIRE. MOST DWELLINGS BUILT BEFORE 1985 HAVE SUPPLY WIRE RATED 60°C. CONSULT A QUALIFIED ELECTRICIAN BEFORE INSTALLING. FOR SUPPLY CONNECTIONS, USE WIRE SUITABLE FOR AT LEAST 90°C.

CLEANING

To clean, wipe fixture with a soft cloth. Clean glass with a mild soap. Do not use abrasive materials such as scouring pads or powders, steel wool or abrasive paper.

ORDERING PARTS

Keep this sheet for future reference, and in case you need to order replacement parts. Parts for this fixture can be ordered from place of purchase. Be sure to use exact wording from illustration when ordering parts.

BEFORE YOU BEGIN

Carefully remove the fixture from the carton and check that all parts are included, as shown in Figure 1 & 2. Be careful not to misplace any of the screws or parts which are needed to install this fixture.

FOR CHAIN HUNG (Figure 1)

Attach fixture loop (V) to the threaded nipple on top of the fixture (if applicable).

FOR FLUSH MOUNT (IF APPLICABLE) (Figure 2)

Attach fixture loop (V) to the threaded nipple on top of the fixture (if applicable).

STEP 1:

Unscrew lockwasher/nut (L) from rod (K). Remove fixture loop (V) and top plate (J), attached to center pipe (M).

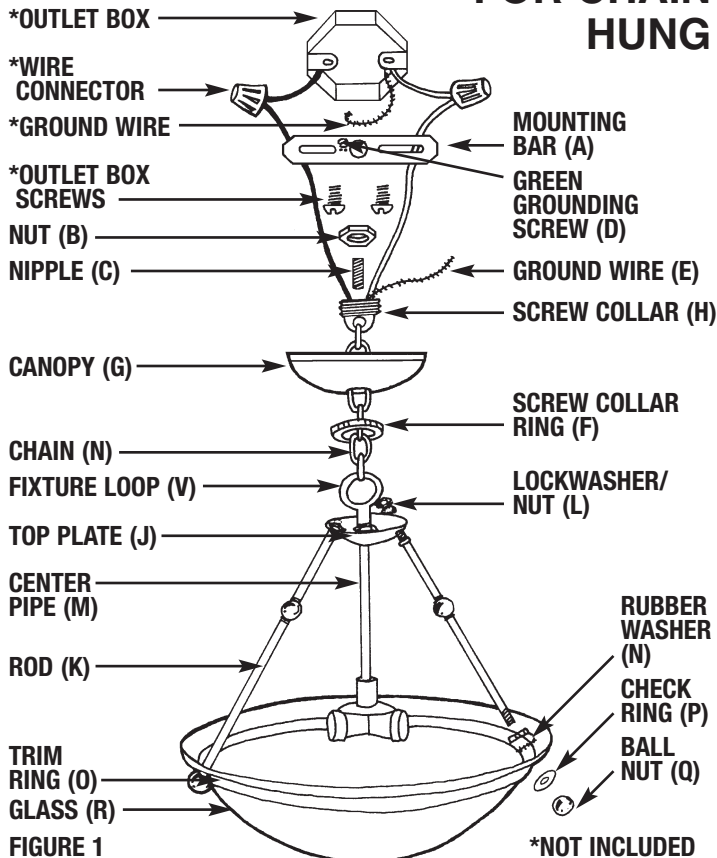
STEP 2:

Feed fixture wires from center pipe (M) through canopy (Z). Secure in place with lock washer (T) and nut (S).

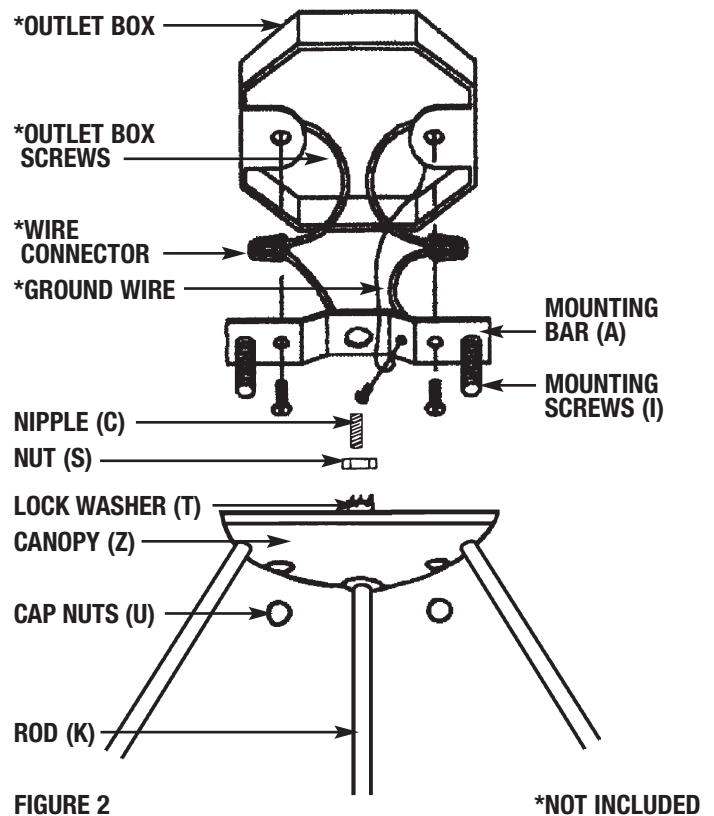
STEP 3:

Attach short ends of the three rods (K) to the canopy (Z) with lock washer and nuts (L).

FOR CHAIN HUNG



FOR FLUSH MOUNT



IMPORTANT: DO NOT ATTACH FIXTURE DIRECTLY TO OUTLET BOX.

FOR CHAIN HUNG (Figure 1)

STEP 1:

Secure mounting bar (A) to outlet box with outlet box screws (not supplied). Thread nut (B) on nipple (C) so that 3 threads are exposed above nut (B). Thread nipple (C) into mounting bar (A) and secure with nut (B). Attach screw collar (H) to nipple (C).

STEP 2:

Using 2 pairs of pliers or chain pliers, open one link of chain (N) and connect it to the fixture loop (V) at the top of the fixture. When using pliers, please open chain outward, **not** in a twisting motion

STEP 3:

Slide the screw collar ring (F) and canopy (G), in that order, over chain (N). Open one link on the other end of the chain (N) and attach it to the screw collar (H) which has been mounted to the ceiling nipple (C). **BE SURE TO CLOSE ALL CHAIN LINKS COMPLETELY.**

STEP 4:

Lace wires up through chain (N) and pass wires through holes in screw collar (H). We recommend lacing wire up through every other link of chain (N).

FOR FLUSH MOUNT

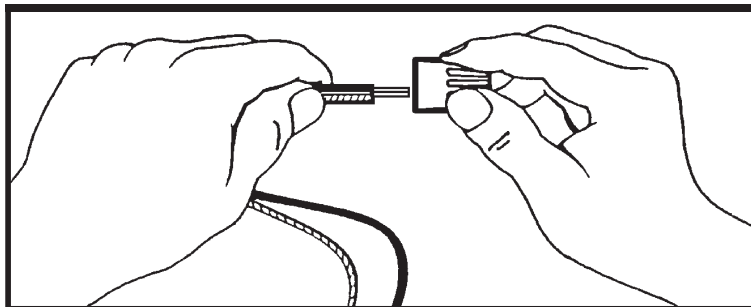
STEP 1:

Thread fixture mounting screws (I) in through top of mounting bar (A) (raised side is on top, as illustrated). Run screw threads (I) all the way down to the heads. Secure mounting bar (A) to outlet box with outlet box screws (not supplied).

WIRING

STEP 1:

A. Take note of the color of the wire(s) on your fixture. Identify which group your fixture wire(s) falls into and connect the wires according to the directions below:



GROUP A: CONNECT TO BLACK HOUSE WIRE	GROUP B: CONNECT TO WHITE HOUSE WIRE
BLACK	WHITE
*PARALLEL WIRE (ROUND & SMOOTH)	*PARALLEL WIRE (SQUARE & RIDGED)

*Note: When parallel wire is used, the tracer wire is square shaped or ridged and less tracer wire is round in shape or smooth (Seen best when viewed from wire end). To separate wires, grasp the ends of each wire and pull apart.

MARK MEANS LAMP CONTAINS MERCURY. FOLLOW DISPOSAL LAWS. SEE WWW.LAMPRECYCLE.ORG

WIRING (continued)

- B.** Take your fixture hot wire (either black or round/smooth tracer) and place evenly against the black wire from the outlet box. **DO NOT** twist wires together before using wire connectors.
- C.** Fit a wire connector (not supplied) over the wires and thread the connector clockwise until you feel a firm resistance.
- D.** Gently try to remove the wires from the connector, If you can remove the wires, carefully re-do steps B and C, as above and check again for a firm connection.
- E.** Connect the common fixture wire (either white or rigid/square tracer) to the white wire from the outlet box in the same manner.

STEP 2:

GROUNDING INSTRUCTIONS: The green grounding screw (D) is to be inserted into the hole with two raised dimples provided on the mounting bar (A). Wrap the ground wire (E) from the fixture (if supplied) and the ground wire from the outlet box (bare metal or green insulated wire) around the green grounding screw (D) on the mounting bar (A) if uninsulated wire is on the mounting bar (A), connect the ground wire (E) from the fixture (if supplied) and the outlet box to it using a small wire connector (not supplied). **NEVER CONNECT GROUND WIRE TO BLACK OR WHITE POWER SUPPLY WIRES.**

FINAL ASSEMBLY

Make sure no bare wires can be seen outside wire connectors.

FOR CHAIN HUNG

STEP 1:

After wires are connected, tuck them carefully inside outlet box and then raise the canopy (G) against ceiling and screw the screw collar ring (F) to the screw collar (H).

STEP 2:

Install lamps. Refer to Figure 3.

FOR FLUSH MOUNT

STEP 1:

After wires are connected, tuck them carefully inside outlet box. Raise the canopy (Z) to the ceiling allowing for mounting screws (I) to protrude through holes in canopy (Z). Secure in place with cap nuts (U).

STEP 2:

Install lamps. Refer to Figure 3.

FIXTURES WITH A ONE PIECE LAMP / BALLAST COMBINATION

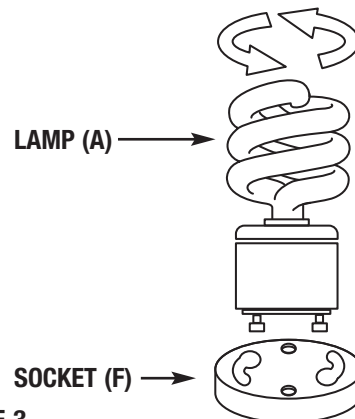


FIGURE 3