

# INSTALLATION AND SAFETY INSTRUCTIONS

HC-207

U.S. PATENT #5,465,199  
051116

## FOR YOUR SAFETY

WARNING: BE SURE THE ELECTRICITY TO THE WIRES YOU ARE WORKING ON IS SHUT OFF; EITHER THE FUSE REMOVED OR THE CIRCUIT BREAKER OFF.

WARNING: Use of other manufacturer's components will void warranty, safety listing and create a potential safety hazard.

CAUTION: RISK OF FIRE. Use only 12v lamps with 12v systems. Use of 12v lamps with 24v system may result in damage to the system and surrounding area.

CAUTION: RISK OF FIRE. Must use SeaGull No. 9488 fused plug if use with transformers over 60w at 12 volts or 100w at 24 volts.

(USE ONLY WITH AMBIANCE 105° CABLE)

CAUTION-RISK OF FIRE MAX 18 WATT TYPE WEDGE T5

ATTENTION : RISQUE D'INCENDIE. UTILISER UNIQUEMENT DES LAMPES 12V AVEC SYSTÈMES 12V. UTILISATION DE LAMPES DE 12V à 24V SYSTÈME PEUT ENTRAÎNER DES DOMMAGES AU SYSTÈME ET LA RÉGION AVOISINANTE.

ATTENTION : RISQUE D'INCENDIE. Devez utiliser fiche SeaGull no 9488 fusionnés si utiliser avec des transformateurs de plus de 60w à 12 volts ou 100w à 24 volts.

(UTILISER SEULEMENT AVEC AMBIANCE CÂBLE 105°)

ATTENTION-RISQUE D'INCENDIE MAX 18 WATT TYPE WEDGE T5

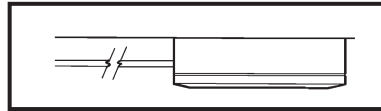
WARNING – To reduce the risk of FIRE OR INJURY:

- Lighted lamp is HOT!
- Turn off power and allow to cool before relamping lamp.
- Lamps get HOT quickly! Contact only switch/plug when turning on.
- Do not touch hot lens, guard, or enclosure.
- Keep lamp away from materials that may burn.
- Do not touch lamp at any time. Use a soft cloth. Oil from skin may damage lamp.
- Do not operate the luminaire with a missing or damaged shield.

SAVE THESE INSTRUCTIONS

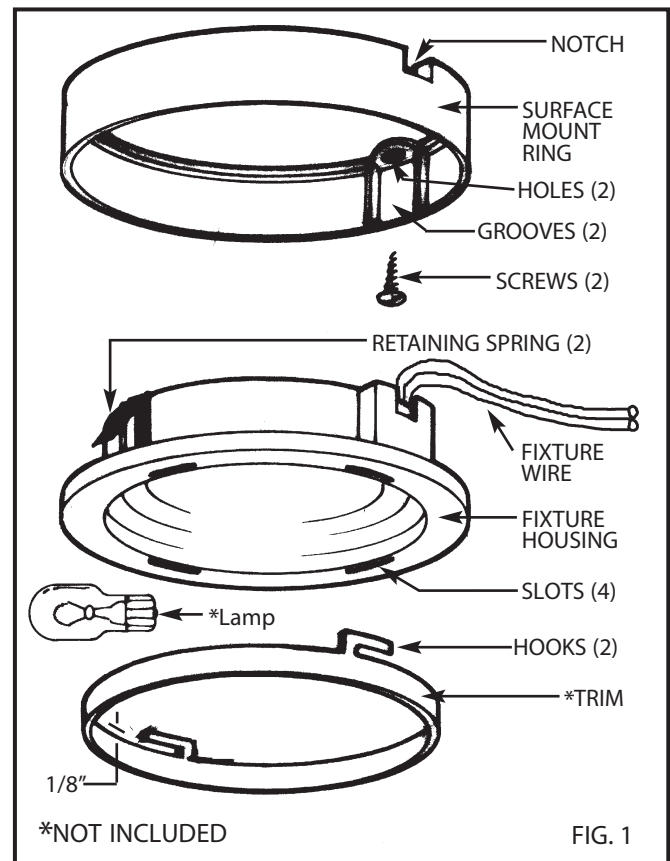
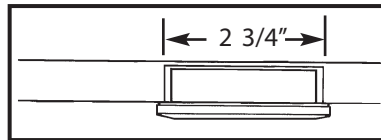
### SURFACE MOUNTING

1. Secure surface mount ring to surface by marking hole location on surface and screw surface mount ring to surface making sure surface mount ring does not flex out of round.
2. Drill wire exit hole in surface or run wire thru notch in surface mount ring.
3. Line up retaining springs on fixture housing with grooves in surface mount ring and press fixture housing into surface mount ring.



### RECESS MOUNTING

1. Drill a 2 3/4" dia. hole in surface.
2. Press fixture housing into 2 3/4" dia. hole.



HC-207

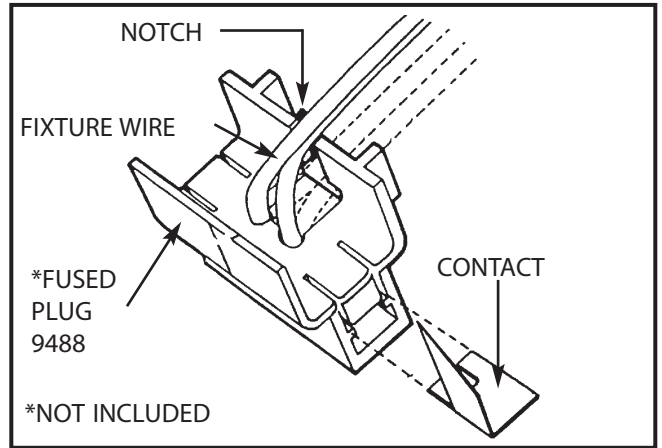


AMBIANCE®  
LIGHTING SYSTEMS

www.SeaGullLighting.com

**FUSED PLUG INSTALLATION (NOT INCLUDED)**

1. Cut wire to desired length.
2. Split ends of wire about (1/2") and insert each end of the wire as far as possible into the plug. Do not strip any insulation off the wire.
3. Insert contact into one end of plug and press, or use pliers until contact is flush with plug. Repeat with other contact (see illustration).
4. Twist wires sideways, insert into notch in plug and twist back straight.
5. Snap plug on cable.
6. Install lamp (18w max.)(not included).



**TRIM INSTALLATION**

1. Secure trim (not included) to fixture housing by inserting hooks on trim into two of the four slots in fixture housing and twist clockwise until trim snaps in place. Bend hooks up slightly (max. 1/8") if trim is too hard to turn and lock into position on housing.

**WARNING:** Use of other manufacturers components will void warranty, safety listing and create a potential safety hazard.

**RISK OF FIRE: DO NOT REMOVE REFLECTOR**

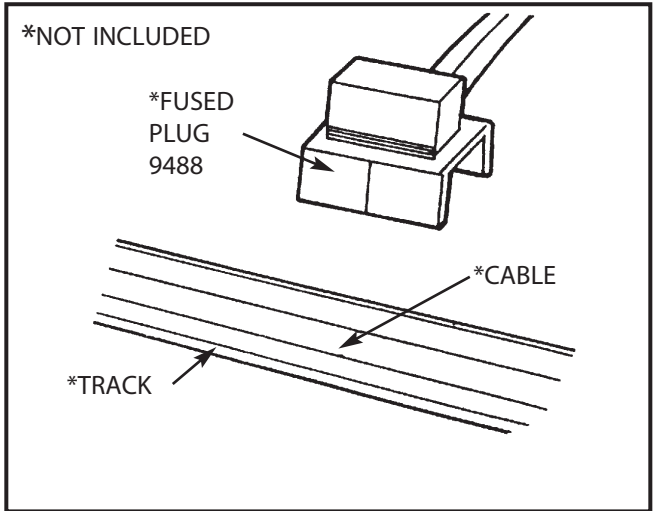
**CAUTION: RISK OF FIRE. 12V LAMPS MUST NOT BE USED IN A 24V SYSTEM. INSTALL CABLE SO THAT CAUTION PRINTED ON CABLE IS VISIBLE AFTER INSTALLATION AND ATTACH 24V CAUTION LABELS (SUPPLIED WITH THE 24V TRANSFORMER) ON OR ALONG THE TRACK EVERY 4 FT.**

**CAUTION-RISK OF FIRE MAX 18 WATT TYPE WEDGE T5**

**RISQUE D'INCENDIE : NE RETIREZ PAS DE RÉFLECTEUR**

**ATTENTION : RISQUE D'INCENDIE. LAMPES 12V NE DOIVENT PAS SERVIR À UN SYSTÈME DE 24V. INSTALLER LE CÂBLE AFIN QUE MISE EN GARDE IMPRIMÉE SUR CÂBLE EST VISIBLE APRÈS L'INSTALLATION ET ATTACHER DES ÉTIQUETTES DE MISE EN GARDE DE 24V (FOURNIS AVEC LE TRANSFORMATEUR 24V) SUR OU LE LONG DE LA PISTE TOUS LES 4 PI.**

**ATTENTION-RISQUE D'INCENDIE MAX 18 WATT TYPE WEDGE T5**



**FINAL INSTALLATION AND FUSING HC-207**

There are several ways to install the 9485 (disk-lights) using the 9774, 18w, 12V xenon lamps (actual consumption = 16.2w):

1. When using a 60w max transformer (class II) you are able to directly hook up three (3) 9485 to the junction box as in Figure 1.
2. For a run larger than three (3) disk-lights you must use a class I transformer (larger than 60w). The following example demonstrates a run of eight (8) 9485 disk-lights (8 x 16.2w each = 130w), in this case you will need to use a 150w transformer.

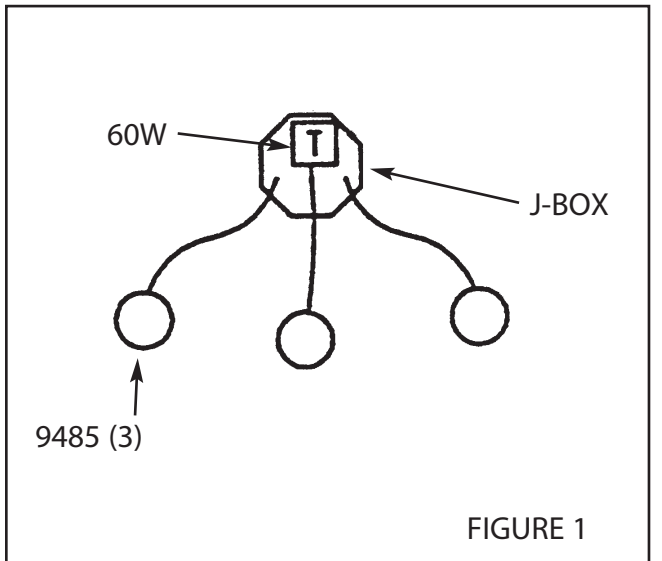


FIGURE 1

Figure 2 demonstrates fusing each individual disk light, with a 9488 fused plug

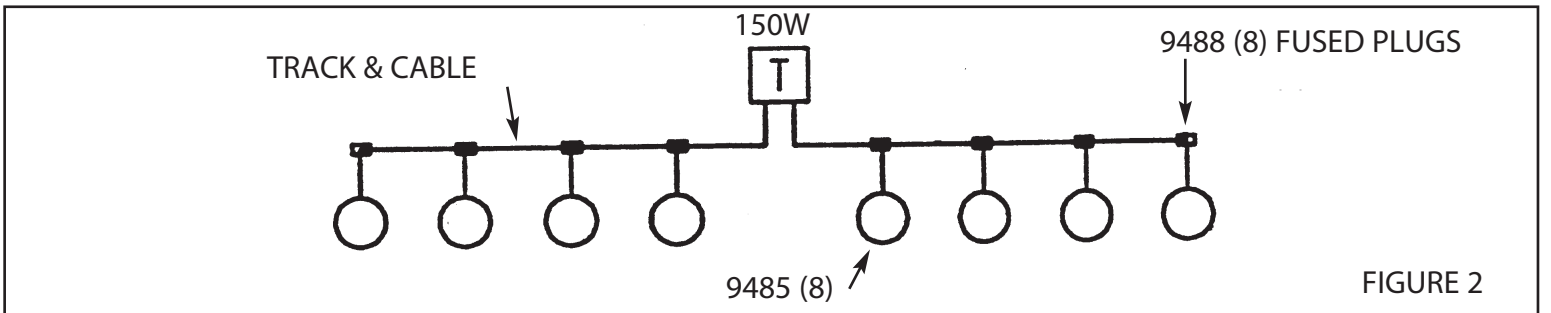


FIGURE 2