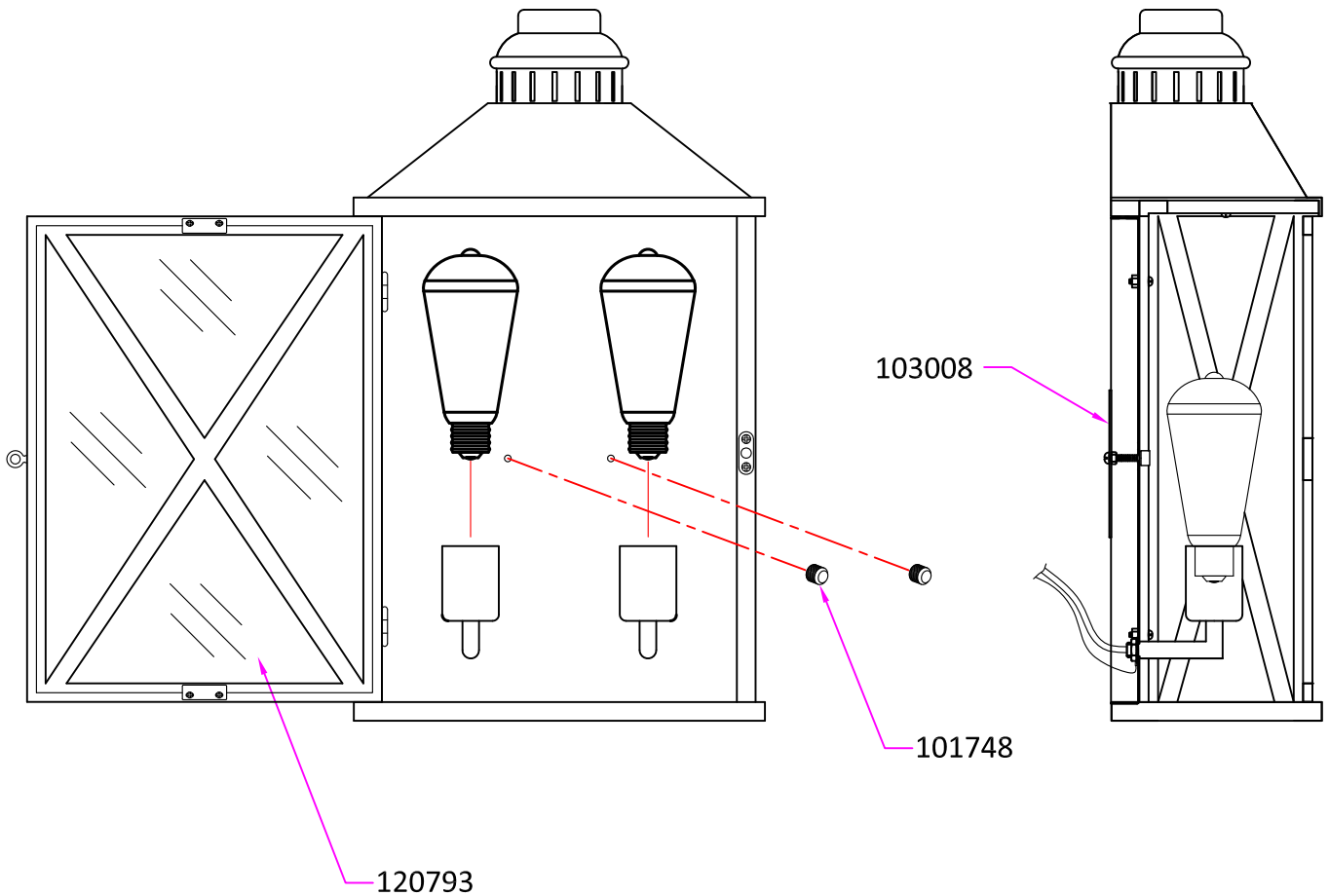


Replacement Parts

OL17004DWO/ORB



Qty.	Part #	Description
	101748	8mm Cap Nut ORB
	103008	Mounting Plate with Machine Screw
	120793	Glass